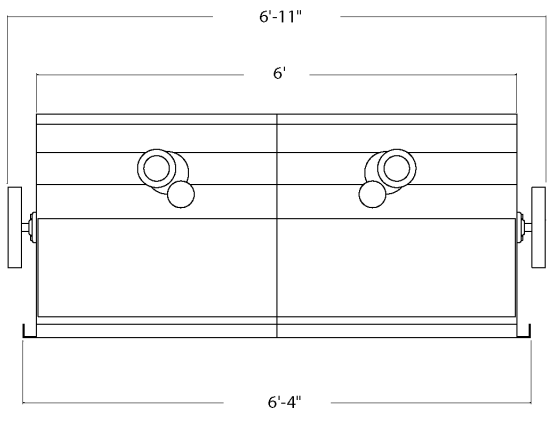


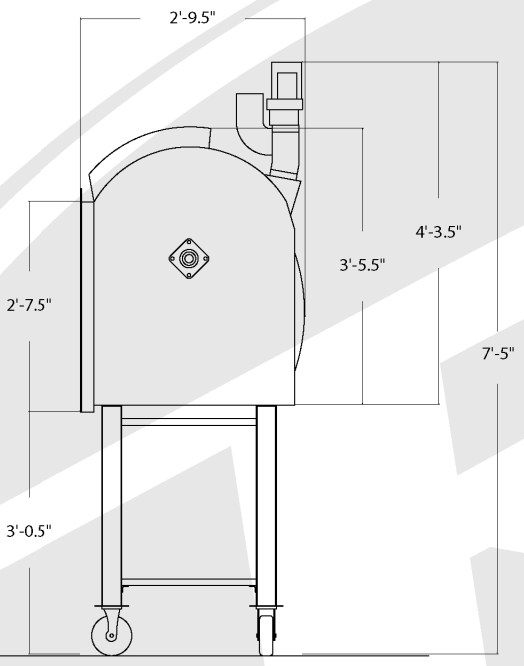
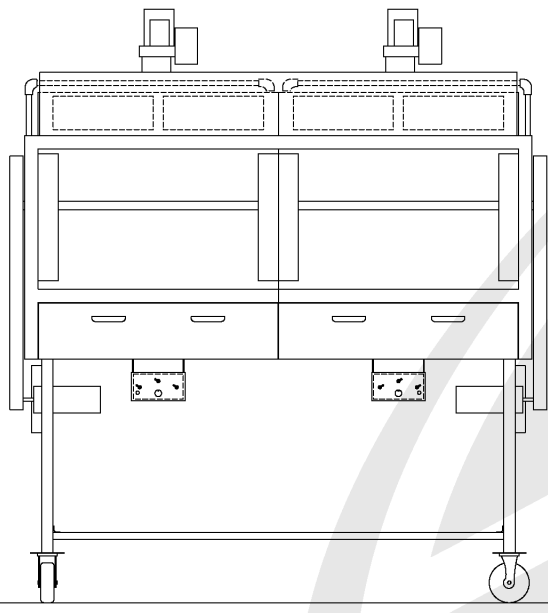


MODEL BZ-72DD

CAPACITY 72 CHICKENS
 50,000 BTU INPUT MAIN RADIANTS
 5-20,000 BTU INPUT FLICKER FLAME
 115 VOLT, 20AMP DEDICATED OUTLET
 FULL LOAD 5.7 AMPS (PER CAVITY)
 HOOD MAY BE REQUIRED BY LOCAL
 CODE ENFORCEMENT AND/OR IF USED
 WITH SOLID FUELS.



Plan View



Remco BZ-72DD Elevations

US Patent: # 5,373,778-5,560,285-5,799,569-5,373,778 Canadian Patent # 2,172,586

2006 © Remco Industries, Inc.

Remco Renaissance Rotisserie Technical Specifications

**RBZ
072**

For further info please contact Remco directly: 1-800-98-REMCO