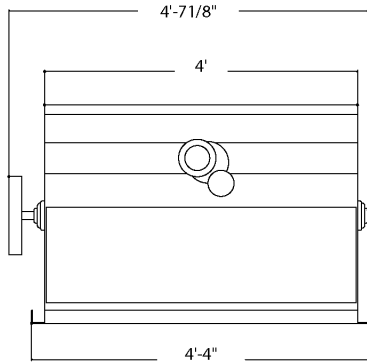


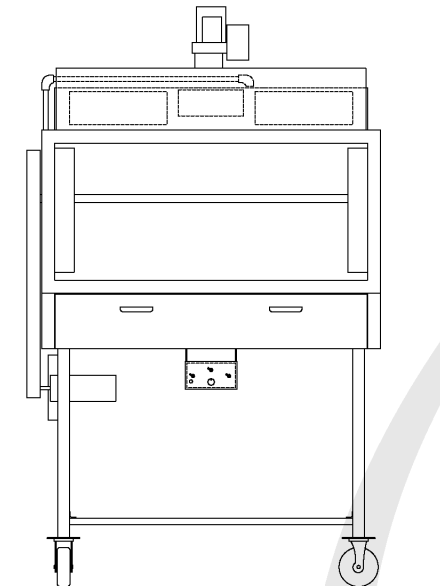


MODEL WB-48

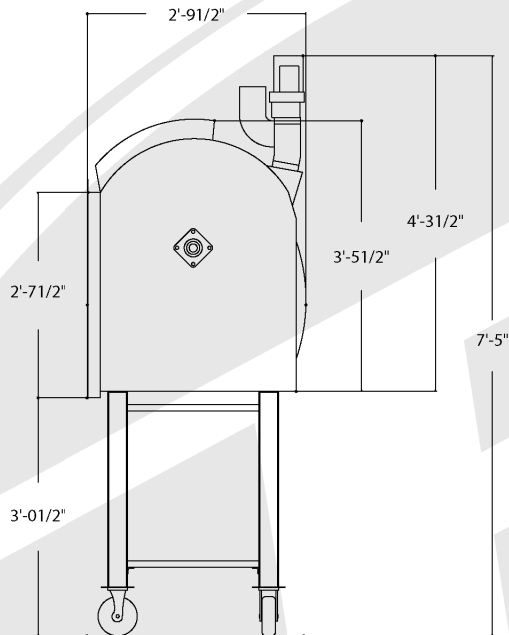
CAPACITY 45 CHICKENS
 32,000 BTU MAIN RADIANTS
 5-15,000 BTU INPUT FLICKER FLAME
 115 VOLT, 20AMP DEDICATED OUTLET
 FULL LOAD 5.7 AMPS
 HOOD MAY BE REQUIRED BY LOCAL
 CODE ENFORCEMENT AND/OR IF USED
 WITH SOLID FUELS. MUST SPECIFY LEFT/
 RIGHT COMPONENT MOUNTING



Plan View



Front Elevation



Side Elevation

US Patent: # 5,373,778-5,560,285-5,799,569-5,373,778 Canadian Patent # 2,172,586

© 2006 Remco Industries Int'l Inc.

Remco Renaissance Rotisserie Technical Specifications



For further info please contact Remco directly: 1-800-98-REMCO